

# **JUN-AIR®**

## **Compressor**

Model 86/87R System  
86R-4B, 87R-4B, 87R-15B, 87R-25B



6190755

# **JUN-AIR®**

[WWW.JUN-AIR.COM](http://WWW.JUN-AIR.COM)

JUN-AIR® is a registered trademark of Gast Manufacturing, Inc. and Gast Group Ltd. ©Copyright 2015 Gast Manufacturing, Inc. All rights reserved.

**ISO 9001 CERTIFIED**

## Table Of Contents

<b>Section</b>	<b>Page Number</b>
Declaration of Conformity	3
Operating Manual	4
Diagrams / Schematics	8
Exploded Views	11
Parts and Accessories	19
Technical Data & Specifications	21
Pictures & Illustrations	26



### Declaration of Conformity

Konformitätsbescheinigung  
 Certificat de Conformité  
 Declaración de Conformidad  
 Conformiteitsverklaring  
 Overensstemmelseserklæring

**GB** The manufacturer Gast Manufacturing, Inc. declares that the compressor is in conformity with:

- 2009/105/EC Council Directive relating to Simple Pressure Vessels
- 2006/42/EC Machinery Directive
- 2004/108/EC EMC Directive
- 2006/95/EC Low Voltage Directive
- 2011/65/EU RoHS 2 Directive
- 2012/19/EU WEEE Directive
- 1907/2006 and 340/2008 REACH Regulation

**DE** Der Hersteller Gast Manufacturing, Inc. bescheinigt, dass der Kompressor entspricht:

- 2009/105/EC Richtlinie der einfachen Druckbehälter
- 2006/42/EC Richtlinie zur Sicherheit von Maschinen
- 2004/108/EC Richtlinie der Elektromagnetischen Verträglichkeit
- 2006/95/EC Richtlinie für Niederspannung
- 2011/65/EU RoHS Directive
- 2012/19/EU WEEE Directive
- 1907/2006 and 340/2008 REACH Regulativ

**FR** Le fabricant Gast Manufacturing, Inc. déclare que le compresseur est conforme aux directives suivantes:

- 2009/105/EC Directive relative aux appareils à pression simple
- 2006/42/EC Directive sur la sécurité des machines
- 2004/108/EC Directive sur la compatibilité électro-magnétique
- 2006/95/EC Directive sur les basses-tensions
- 2011/65/EU Directive RoHS
- 2012/19/EU Directive DEEE
- 1907/2006 et 340/2008 Réglementation REACH

**ES** El fabricante Gast Manufacturing, Inc. declara que el compresor está conforme con:

- 2009/105/EC Directiva en relación a recipientes a presión simple
- 2006/42/EC Directiva de Seguridad de maquinaria
- 2004/108/EC Directiva de Compatibilidad eléctrica magnética
- 2006/95/EC Directiva de baja tensión
- 2011/65/EU Directiva de RoHS
- 2012/19/EU Directiva de WEEE
- 1907/2006 and 340/2008 Reglamento REACH

**NL** De fabrikant Gast Manufacturing, Inc. verklaart dat de compressor in overeenstemming is met:

- 2009/105/EC Richtlijn voor eenvoudige drukvaten
- 2006/42/EC Machinerichtlijn
- 2004/108/EC Richtlijn inzake Electromagnetische Compatibiliteit
- 2006/95/EC Laagspanningsrichtlijn
- 2011/65/EU RoHS Richtlijn
- 2012/19/EU WEEE Richtlijn
- 1907/2006 and 340/2008 REACH Verordening

**DK** Producenten Gast Manufacturing, Inc. bekræfter hermed at kompressoren er i overensstemmelse med:

- 2009/105/EC Direktivet vedrørende simple trykbeholdere
- 2006/42/EC Maskindirektivet
- 2004/108/EC EMC-direktivet
- 2006/95/EC Lavspændingsdirektivet
- 2011/65/EU RoHS Direktivet
- 2012/19/EU WEEE Direktivet
- 1907/2006 and 340/2008 REACH Forordningen

## Operating manual

### Information

**Please note that you can find the pictures and figures we are referring to in the back of the manual**

### Important - read this first!

Please read the following information and operating instructions included with this product before use. This information is for your safety and it is important that you follow these instructions. It will also help prevent damage to the product. Failure to operate the unit in accordance with the instructions or using JUN-AIR unauthorized spare parts can cause damage to the unit and could cause serious injury.



**CAUTION:** To reduce risk of electric shock

- Only authorized service agents should carry out service. Removing parts or attempting repairs can create an electric shock. Refer all servicing to qualified service agents.
- If this unit is supplied with a three-pin plug, connect with a properly earthed outlet only.



**WARNING:** To reduce risk of electrocution

- Do not use this unit with electrical voltages other than stated on the rating plate.
- Never leave this product unattended when plugged in.
- Always unplug this unit immediately after use.
- Store in a dry place.
- Do not use this product in or near liquid or where it can fall or be pulled into water or other liquids.
- Do not reach for this product if it has fallen into liquid. Unplug immediately.
- This unit is not weatherproof. Never operate outdoors in the rain or in a wet area.



**DANGER:** To reduce risk of explosion or fire

- During spraying with combustible liquids risk of explosion may arise, particularly in closed rooms
- Do not use this product in or near explosive atmospheres or where aerosol products are being used.
- Do not pump any other gases other than atmospheric air.
- Do not pump combustible liquids or vapours with this product; do not use it in or near areas with combustible or explosive liquids or vapours.
- Do not use this unit near naked flames.



**CAUTION:** To prevent injury

- Compressed air can be dangerous; do not direct airflow at a persons head or body.
- Always keep the system out of reach of children.
- Never operate this product if it has a damaged power lead or plug, if it has been dropped or damaged, or if it has fallen into water. Return the product to a service centre for examination and repair.
- Keep the electrical cable away from hot surfaces.
- Ensure all openings are kept free of restriction and never place the system on a soft surface where the openings may be blocked. Keep all openings free from dust, dirt and other particles.
- Never insert fingers or any other objects into fans.
- This unit is thermally protected and can automatically restart when the overload resets.
- Wear safety glasses, when servicing this product.
- Use only in well ventilated areas.
- This product may only be connected to units or tools with a max. pressure higher or equal to that of the system.
- The surface of the system can get hot. Do not touch system system during operation.

Failure to observe the above safety precautions could result in severe bodily injury, including death in extreme cases.



**IMPORTANT:** General directions for use

- Protect the system against rain, moisture, frost and dust.
- The system is constructed and approved for a max. pressure as stated under Technical Specifications.
- Do not operate system at ambient temperatures exceeding 40°C/104°F or falling below 5°C/41°F.
- If the supply lead on the system is defective, an authorized JUN-AIR distributor or other qualified personnel must carry out the repair.



### Warranty

Provided that the operational instructions, maintenance, and service have been carried out, your JUN-AIR system is guaranteed against faulty material or workmanship for 2 years.

The air receiver is guaranteed for 5 years.

The guarantee does not cover damage caused by violence, misuse, incorrect repairs or use of unoriginal spare parts.

Costs of transportation of parts/equipment are not covered by the guarantee.

JUN-AIR's Conditions for Sale and Delivery will generally apply.

Gast Manufacturing, Inc. A/S reserves the right to change technical specifications/ constructions.

### Contents of box

Your system should be delivered in a clean and undamaged box. If not, contact your distributor immediately. The box should contain the following:

- 1 86/87R-XB system
- 1 system operating manual & 1 filter/regulator manual
- Individually packaged or attached filter/regulator
- 100 cm x 6 mm tube for filter/regulator autodrain line

### Installation

Your JUN-AIR system is very easy to operate. Observe the following simple instructions and you will get many years' service from your unit.

- Visually inspect unit for shipping damage, contact your supplier immediately if you think the unit may have been damaged.

### Warning!

**To avoid the risk of electric shock, do not install the system in areas where it may get in contact with water or other liquids. In which case protection is required.**

- Use only pressure pipes tolerating a constant temperature of min. 150°C. Ensure that the pressure pipes have a sufficient internal diameter to avoid pressure loss in the system. Check for leaks.



- Install product on a rigid level surface maintaining a minimum of 6 in/15 cm clearance all around the unit and a 12 in/30 cm clearance above the system.
- Sufficient cooling from the surroundings is important. Place the system in a dustfree, dry and cool, yet frostfree, room. Do not install in a closed cupboard, unless adequate openings for ventilation are available on top and bottom (minimum 500 cm<sup>2</sup>/77.5 in<sup>2</sup> each). If the system is placed under a table, a minimum of 12 cm/5 in free height must be available above the system or an opening of Ø30cm/11.8 inches, corresponding to the top of the system, may be cut in the table. Ensure that the system stands firmly on the floor.
- The intake air may be supplied from another place (for instance outside). Ensure that hoses for the intake are sufficient to avoid performance loss and that any alternate filter used has the same micron rating (50µm) as the JUN-AIR intake filter.

## Electrical installation

### Warning!

***Incorrect electrical connection may result in electric shock. The electrical connection must be carried out in accordance with local electrical regulations and by qualified electrical engineers.***

### Note!

Earthing of all AC models must be ensured during installation. The capacitor must be earthed, as failure to do so may cause electric shock when touched. Plug the system into an earthed socket of nominal voltage and ensure that fusing is adequate.

### AC models

- For electrical connection, refer to schematic in back of this manual.
- Check system serial number label for frequency and voltage to ensure that it corresponds to the voltage and frequency used for the system. The voltage stated on the system plate: 120/240V (/) means that the system can operate at 120V or 240V, but this requires recoupling of the internal wiring from the electrical system (see the electrical diagrams). 220-230V (-) means that the system may operate within the range of 220V to 230V without recoupling of the internal wiring.
- Capacitor is wired to motor via terminal box on side of motor.
- Accessories are wired through the system pressure switch.

## Operation

- If the temperature of the system is extremely low (for instance after transportation or stocking), allow system to get to room temperature before switching on the system.
- Do not use system for compression of liquids and dangerous gasses, such as petrol vapour and solvents.

### Important

***This system is only suitable for atmospheric air.***

- Do not remove protection covers during operation as it may cause electric shock or risk of other personal injury (ie: terminal box, pressure switch).
- Ensure that system is correct for air supply flow required, see Technical Specifications.
- Open the outlet cock on the receiver and connect equipment.

## Adjustment of pressure switch

### Warning!

***If maximum pressure is exceeded, reduced lifetime may result. Contact JUN-AIR for information on operation at higher pressure.***

- All systems may run at 100% continuous operation, but 50% operation is recommendable to prolong lifetime.
- The system should be sized so that the tank is capable of supplying air 100% of the time and the compressors only run at 50%.
- Do not lubricate the oil-less system with oil, as this will destroy important components.
- Start the system using the 0/1 switch on the pressure switch. The system will automatically switch off at the preset pressure. If the system does not start it may be due to pressure in the receiver, and the system will then start automatically when the pressure reduces to approx. 6 bar/87 psi.
- Adjustment of pressure (see back of manual)

A: Max. pressure adjustment (cut-out)

B: Differential adjustment (cut-in)

The cut-in pressure (normally 6 bar) is set by adjustment of differential screw B. Turn clockwise to reduce cut-in pressure. The cut-out pressure is set by even adjustment of the two screws A. (Cut-in pressure + differential = cut-out pressure). Turn clockwise to increase cut-out pressure. The switch is normally factory set for operation at 6-8 bar (approx. 90-120 psi).

## Fault finding and repair

### Important!

***Switch off and isolate from electrical supply before removing any parts from the system. Empty air receiver of air before dismantling parts of system unit's pressure system.***

1. **System does not start:**
  - a) No power from mains. Check fuses and plug.
  - b) Breakage or loose joints in electrical connections.
  - c) Defective capacitor.
  - d) The thermal protection has switched off the pump due to overheating. When cooled the pump will automatically turn on at a suitable operation temperature. Go through the points in step 5.
  - e) The system has not been unloaded and there is back pressure. Make sure that the system is unloaded each time it stops.
  - f) The pump is locked.
  - g) Pressure in the air receiver is too high for activation of the pressure switch. The pressure switch makes circuit only when pressure has dropped to preset start pressure. Empty receiver.
2. **System does not start, makes a buzzing sound followed by a clicking noise (cannot start against high pressure):**
  - a) Leaky non-return valve. Remove the flexible pressure pipe and clean to find out whether air leaks from the valve. If so, clean or replace.
3. **System works, but pressure does not increase:**
  - a) Intake filter clogged. Replace.
  - b) Leaks in fittings, tubes or pneumatic equipment. Check with soapy water or by letting unit stay overnight with disconnected mains. Pressure drop is not to exceed 1 bar.
  - c) Cups are worn out. Check and replace if necessary.
  - d) Defective valve plate. Contact your JUN-AIR distributor.
  - e) Burr or failure in non-return valve which is creating a flow restriction.

**4. Loud noise from system:**

- a) Dirt or failure in non-return valve. Clean or replace.

**5. System gets very hot:**

- a) Leaks. See above
- b) Too high ambient temperature. Ensure adequate ventilation if the vacuum pump is installed in a cabinet.
- c) Overloaded. Ensure system is correct model for work load.

**6. System starts when no air is being tapped:**

- a) Leaks. Step 3 - b

**7. System does not switch on against pressure or does not switch off at max. pressure:**

- a) Defective pressure switch. Replace.

**Non-return valve Maintenance (NRV)**

- Once a year.
- Switch off system on the main switch and pull out the plug.
- Pull the ring at the end of the safety valve (see back of manual).

**Warning:**

**Loud noise!**

- Let pressure fall to 0 bar. The pressure is to be read on the pressure gauge for receiver pressure (see back of manual).
- If the system is mounted with a TÜV-approved safety valve, the receiver is emptied by loosening the screw at the end of the safety valve
- Dismount non-return valve from receiver
- Disassemble non-return valve and remove O-ring from piston
- Clean non-return valve.
- Mount new O-rings and re-assemble non-return valve (Two O-rings in non-return valve)

**Preventive maintenance**

	Weekly	Monthly	Annually	2000 Hours
Drain condensate from air receiver. If equipped with autodrain, this will take place automatically, however, drain bottle has to be emptied.	•			
If compressor is fitted with outlet filter, check and empty for water by pressing the black button at the bottom. If fitted with autodrain, this will take place automatically.	•			
Check motor, air tubes, hoses and equipment for leaks, and check the pumping time.		•		
Clean unit or wipe with a soft, damp cloth. If necessary, use paraffin on rag to remove sticky adhesions. Dust and dirt prevent cooling.		•		
Check intake filter. Clean or replace if necessary. Minimum every 2000 hours				•
Replace silencer (intake filter), if necessary			•	
Check the O-ring in the non-return valve and replace, if necessary. Note! Empty receiver of air before dismounting.				•
Check filter regulator, clean or replace as necessary				•
Test the safety valve by gently pulling the ring with pressure in the receiver.			•	

*Filters and non-return valves should be serviced every 2000 hours. The JUN-AIR basic service kit (identified in the accessories portion of this manual) can be purchased to accommodate.*

*The comprehensive service kit includes components to maintain the system's compressor (cups, valves, o-rings, cylinders) as well as the systems filter elements, unloader valve, silencer, & NRV.*

*Comprehensive service kits should be utilized every 8000 hours.*

*Any solenoid accessories on the system should be serviced every 12000 hours.*

**Check the Pumping Time**


The pumping time indicates the condition of the compressor provided that there are no leaks in the system where the compressed air may leak. Test the compressor as follows:

1. Empty the air receiver of compressed air ( the pressure gauge shows 0 Bar)
2. Close the outlet on the air receiver and check that the drain cock is closed.
3. Start the compressor and note how long it takes until it switches off.


Ensure that the pressure in the air receiver is 8bar/120 psi as deviations may indicate the wrong results (see technical Specifications for pumping time)

**Important!**


**Always test the compressor when cold as the time indicated refers to the pumping time of a cold compressor. The pumping time of a warm compressor is much longer and consequently, the result would be misleading.**




**WARNING: To Avoid Serious Burns:**  
Do not touch surface during operation.



Indicates package should be handled with these symbols pointing up.



**FRAGILE: Handle package with care.**



Indicates this package must be kept dry.

**Pressure vessel**

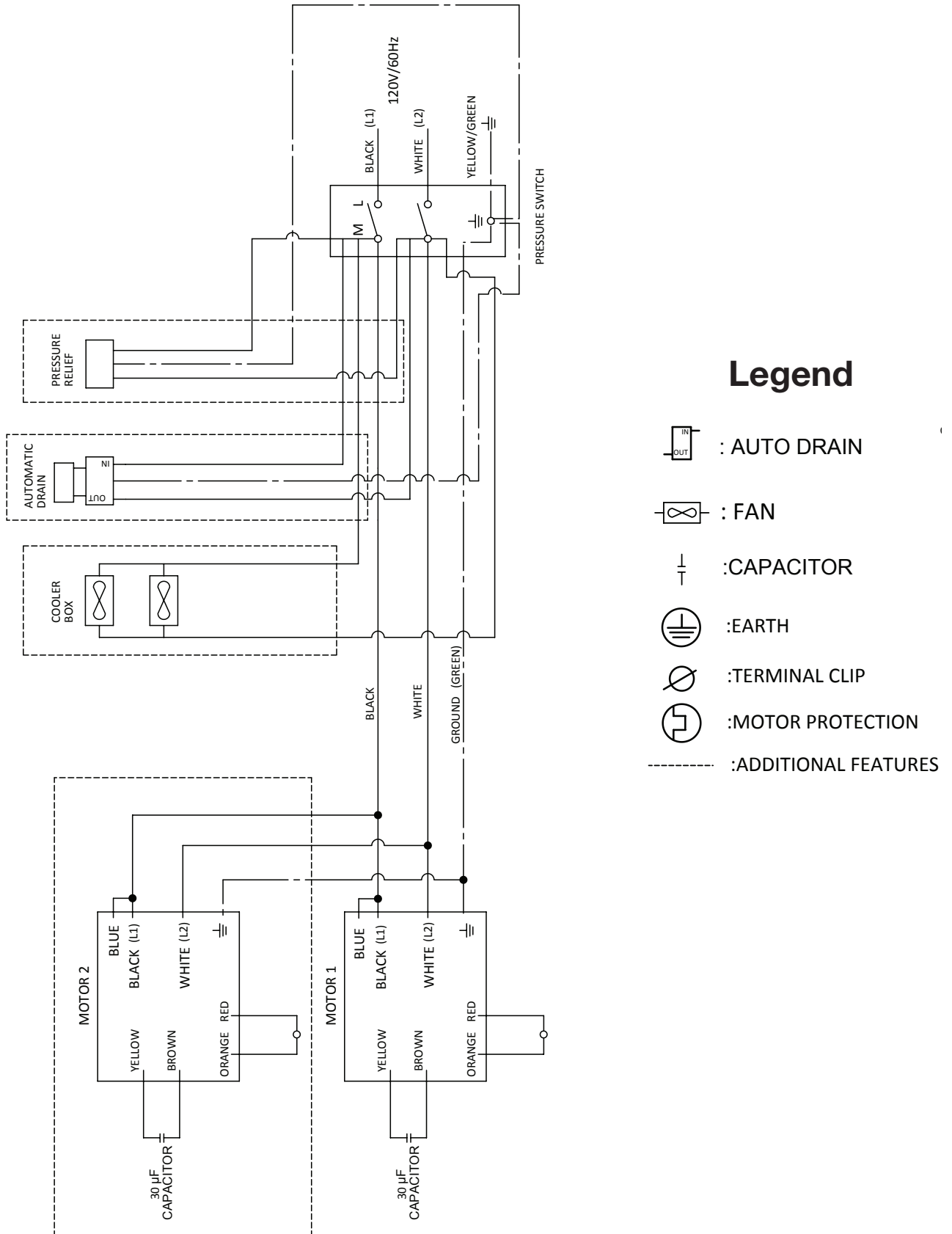
Pressure tested at: All sizes: 16.5 - 24BAR

**Directions for use**

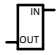
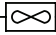





Application	Receiver for compressed air.
Receiver specifications	See name plate.
Installation	Tubes, etc. must be installed with suitable materials.
Placement	Observe the working temperature of the receiver. Ensure sufficient room for inspection and maintenance. The receiver must be kept in a horizontal position.
Corrosion protection	The surface treatment must be maintained as required. Internal inspection at least every 5 years. Drain condensate at least once a week.
Alteration/repair	No welding must be made on pressurised parts.
Safety valve	Ensures that PS rating will not be exceeded. Never adjust to a higher pressure than PS. The capacity of the valve must be calculated in accordance with the volume of air supplied by the compressor. (PS = Maximum working pressure of the receiver. This is specified on the system's serial number label.)

86/87R- XB Wiring Schematics

120VAC - 60Hz

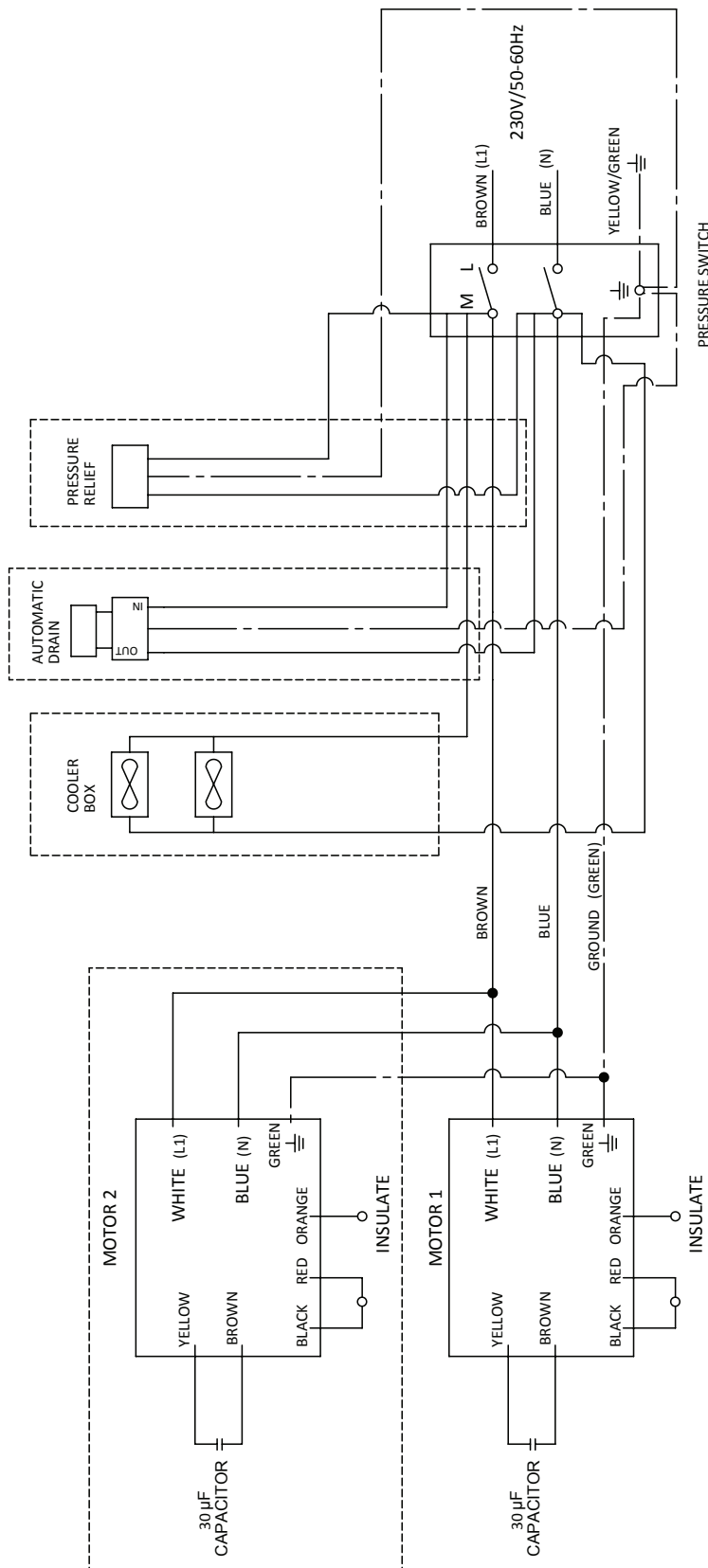


Legend

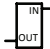
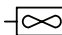




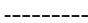
-  : AUTO DRAIN
-  : FAN
-  : CAPACITOR
-  : EARTH
-  : TERMINAL CLIP
-  : MOTOR PROTECTION
-  : ADDITIONAL FEATURES

86/87R- XB Wiring Schematics

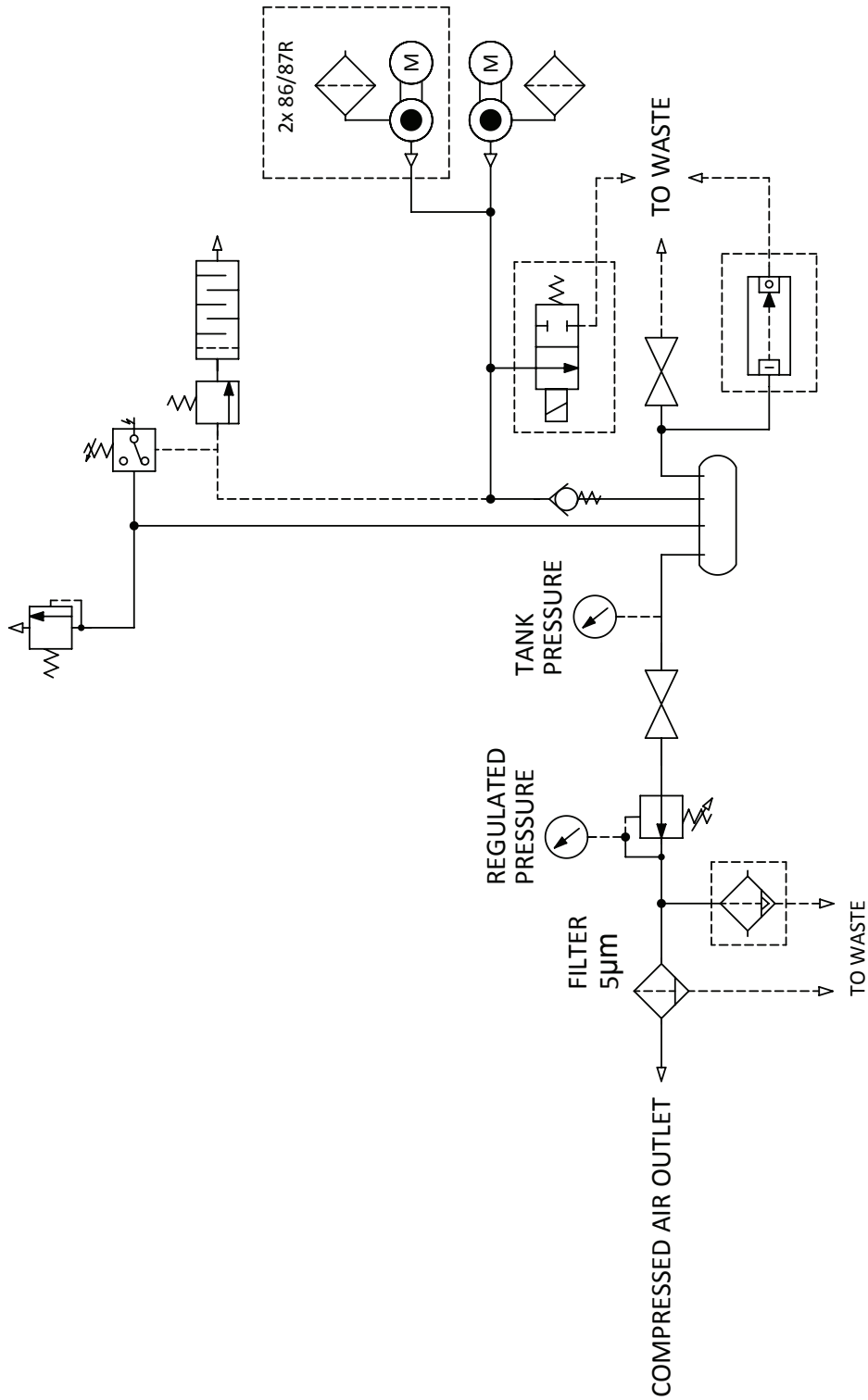
120VAC / 230VAC - 50Hz or 60Hz



Legend

-  : AUTO DRAIN
-  : FAN
-  : CAPACITOR
-  : EARTH
-  : TERMINAL CLIP
-  : MOTOR PROTECTION
-  : ADDITIONAL FEATURES

86/87R- XB Pneumatic Schematic

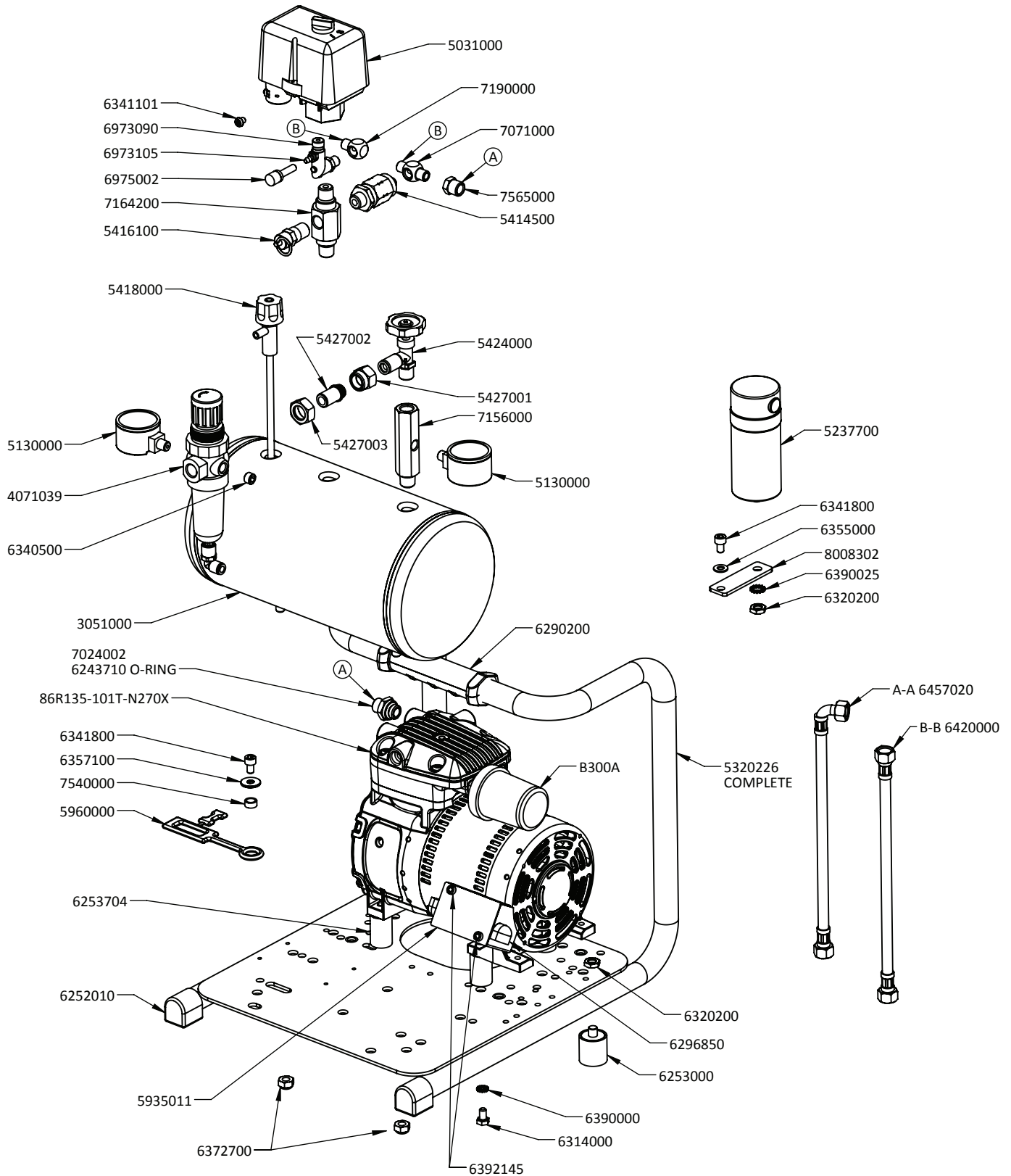


### Legend

- :WORKING PIPE
- - - :STEERING PIPE
- :PIPE COUPLING
- (M) :COMPRESSOR
- :TANK
- ◇ :INLET FILTER
- ⊙ :PRESSURE GAUGE
- ⊞ :PRESSURE SWITCH
- ⊞ :SAFETY VALVE
- ⊞ :NON RETURN VALVE
- ◇ :FILTER MANUAL DRAIN
- ⊞ :VALVE FOR PRESSURE RELIEF
- ⊞ :REDUCTION VALVE
- ⊞ :VALVE
- ⊞ :MUFFLER
- ◇ :FILTER WITH AUTOMATIC DRAIN
- - - :OPTIONAL
- ⊞ :TIMED AUTO DRAIN
- ⊞ :2/2 PRESSURE RELIEF

86/87R- XB Exploded Views

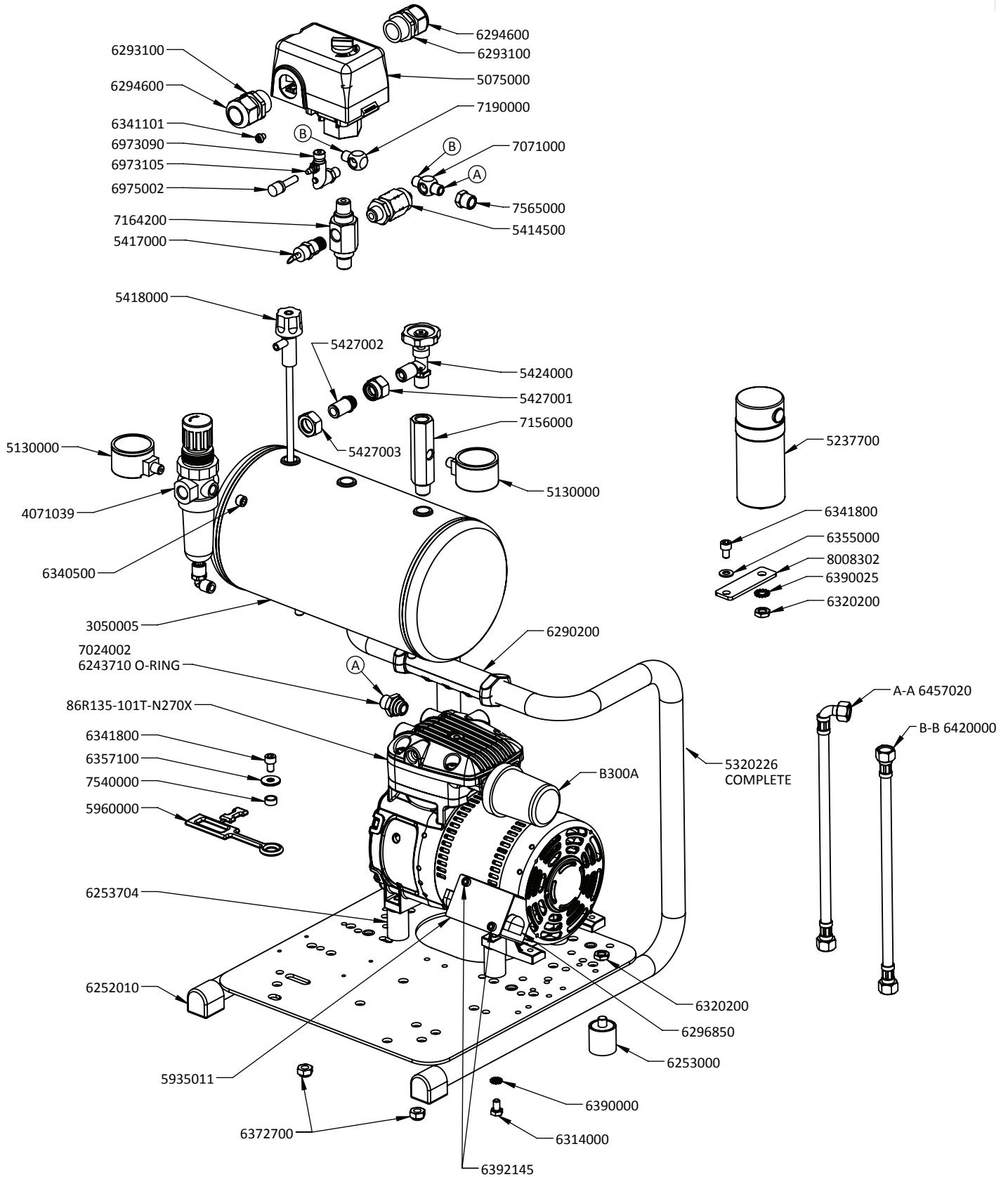
86R-4B 230V - 50Hz





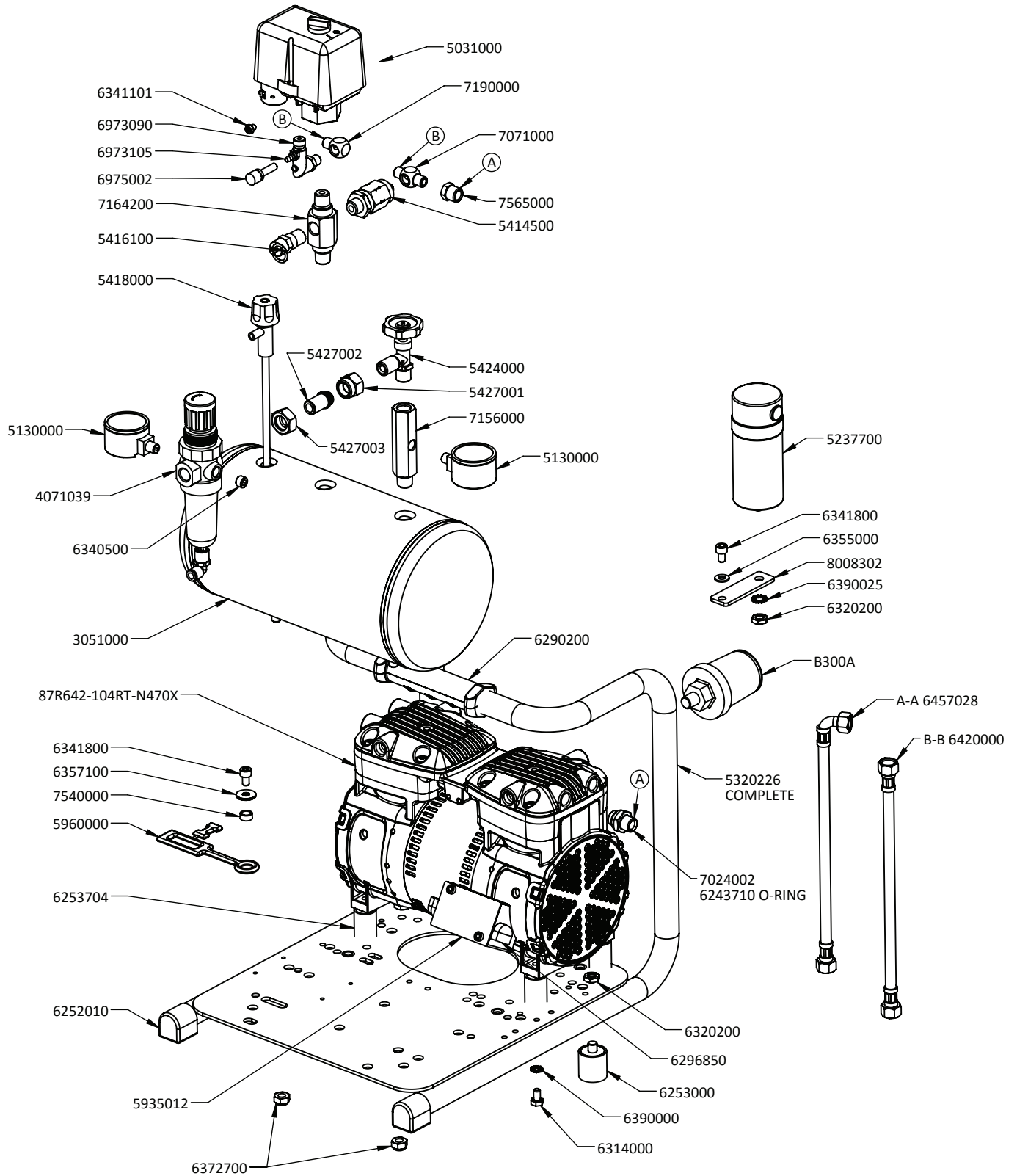
86/87R- XB Exploded Views

86R-4B 120V/230V - 60Hz



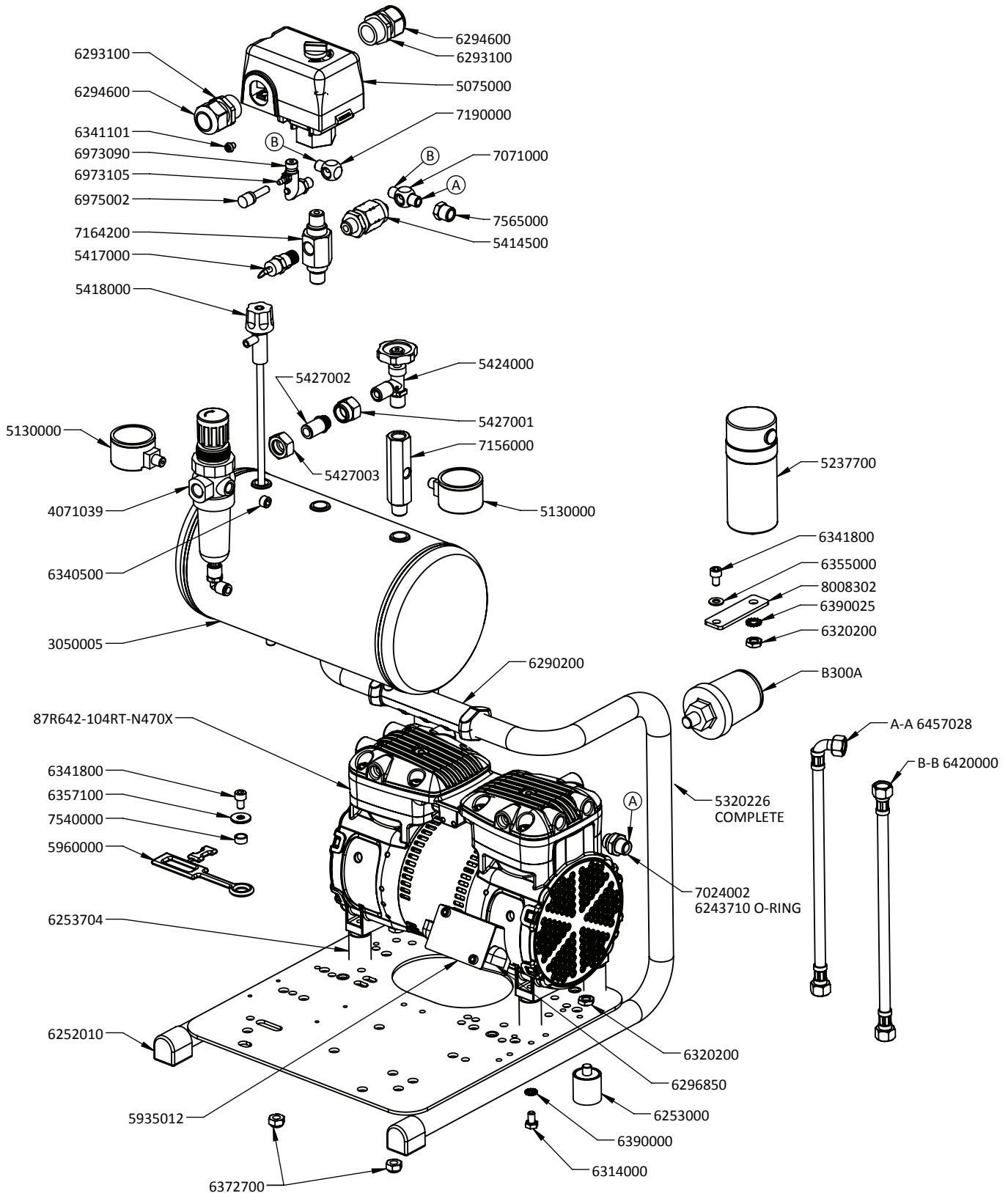
86/87R- XB Exploded Views

87R-4B 230V - 50Hz



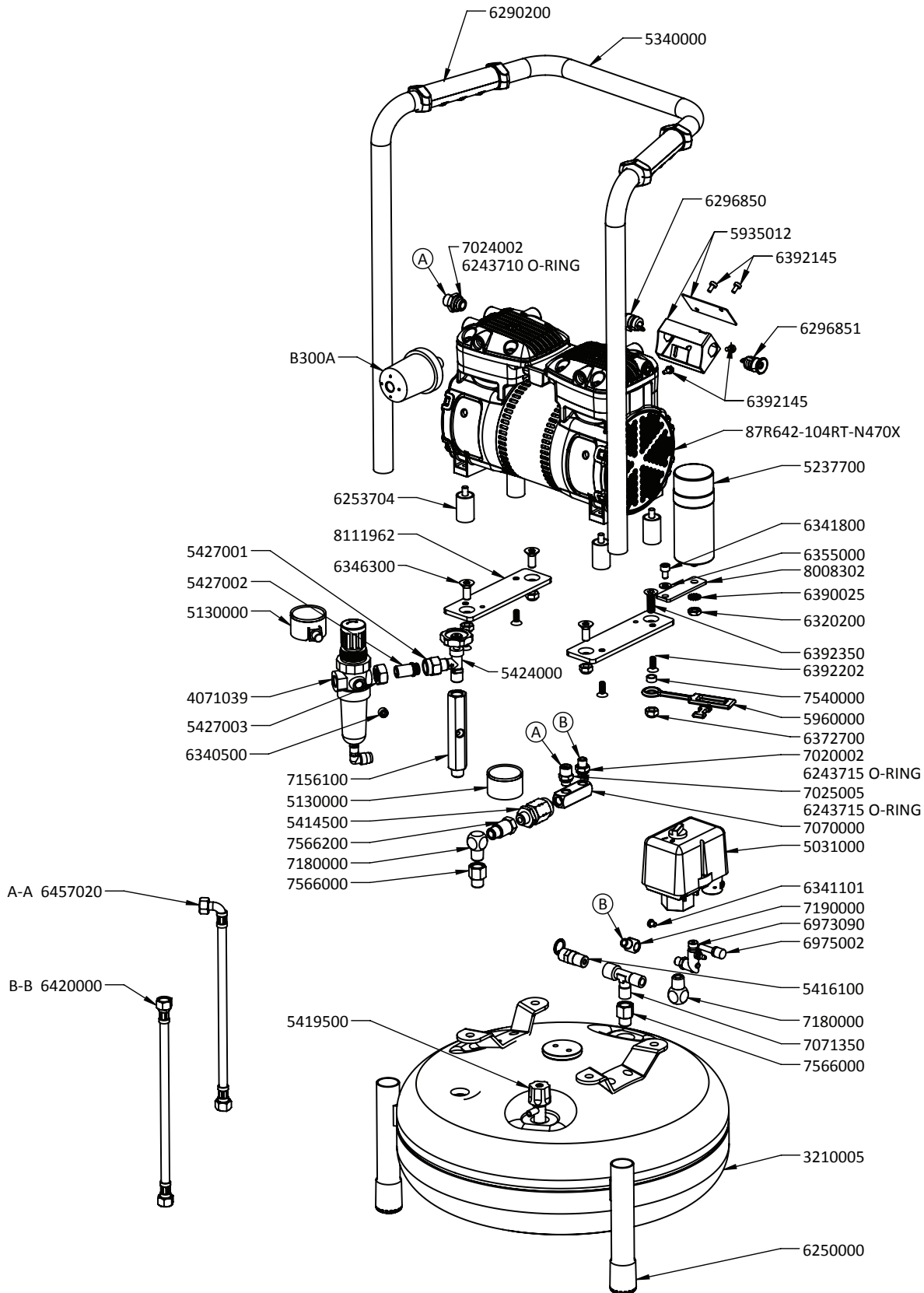
86/87R- XB Exploded Views

87R-4B 120V/230V - 60Hz



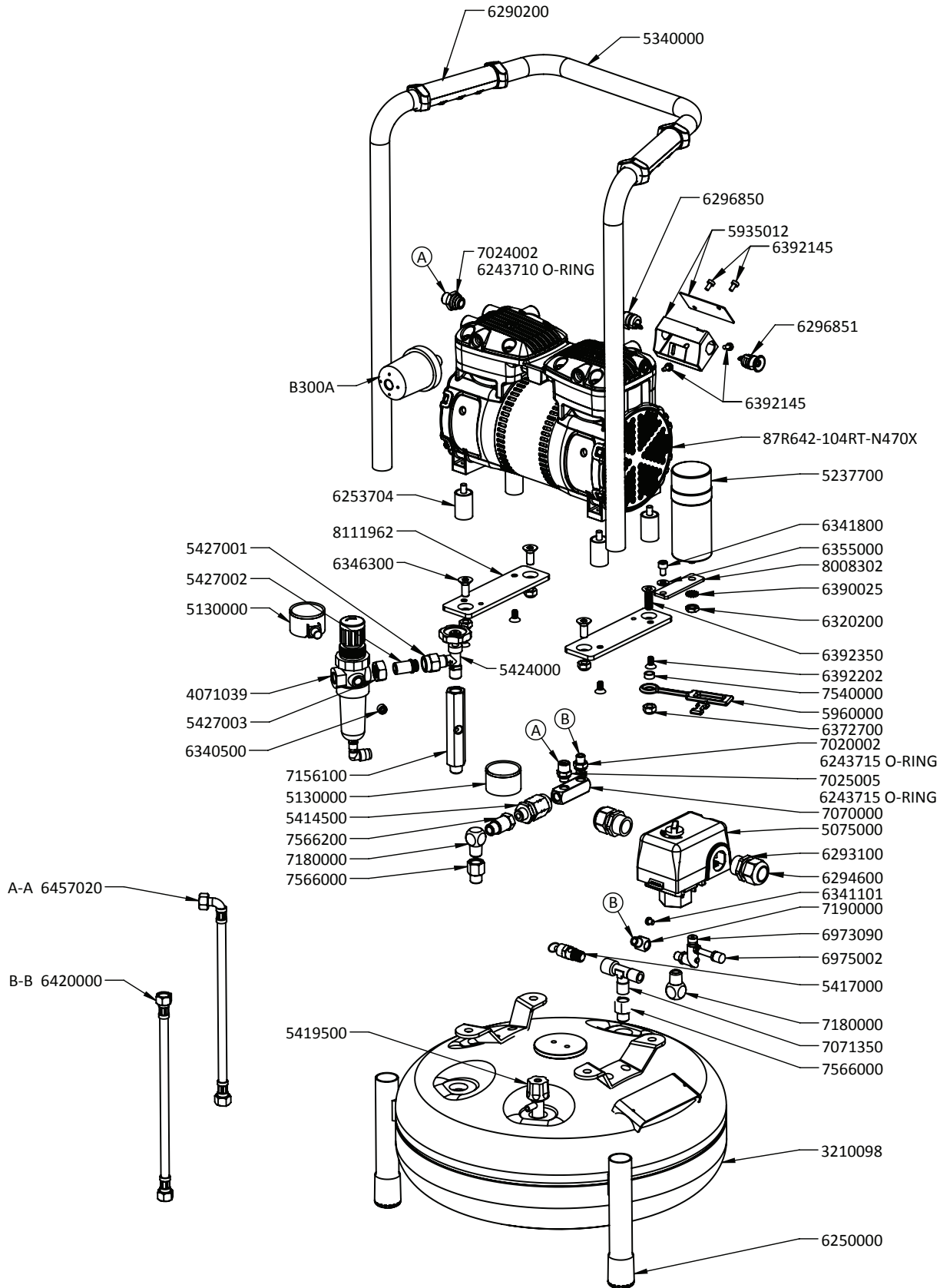
86/87R- XB Exploded Views

87R-15B 230V - 50Hz



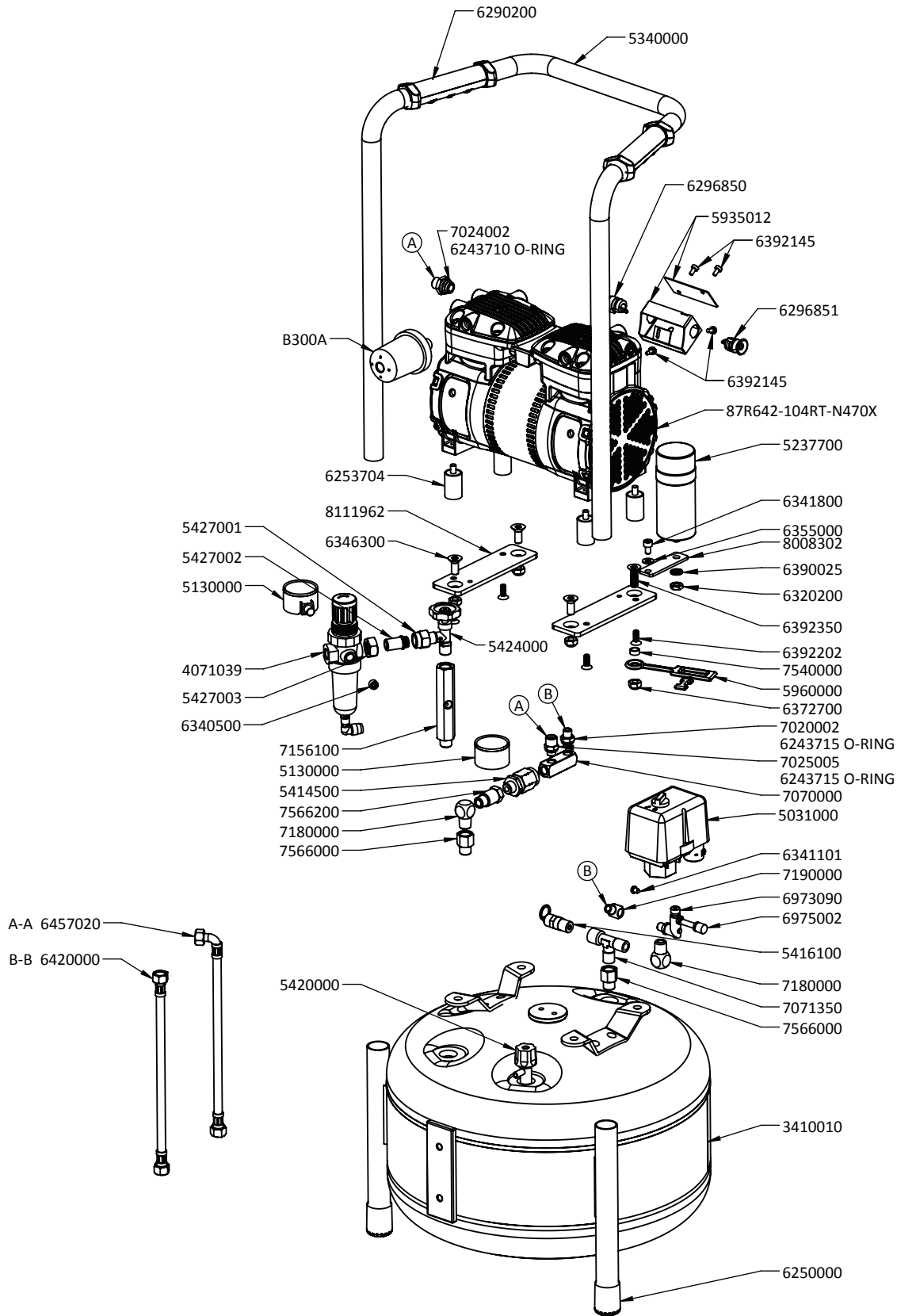
86/87R- XB Exploded Views

87R-15B 120V/230V - 60Hz



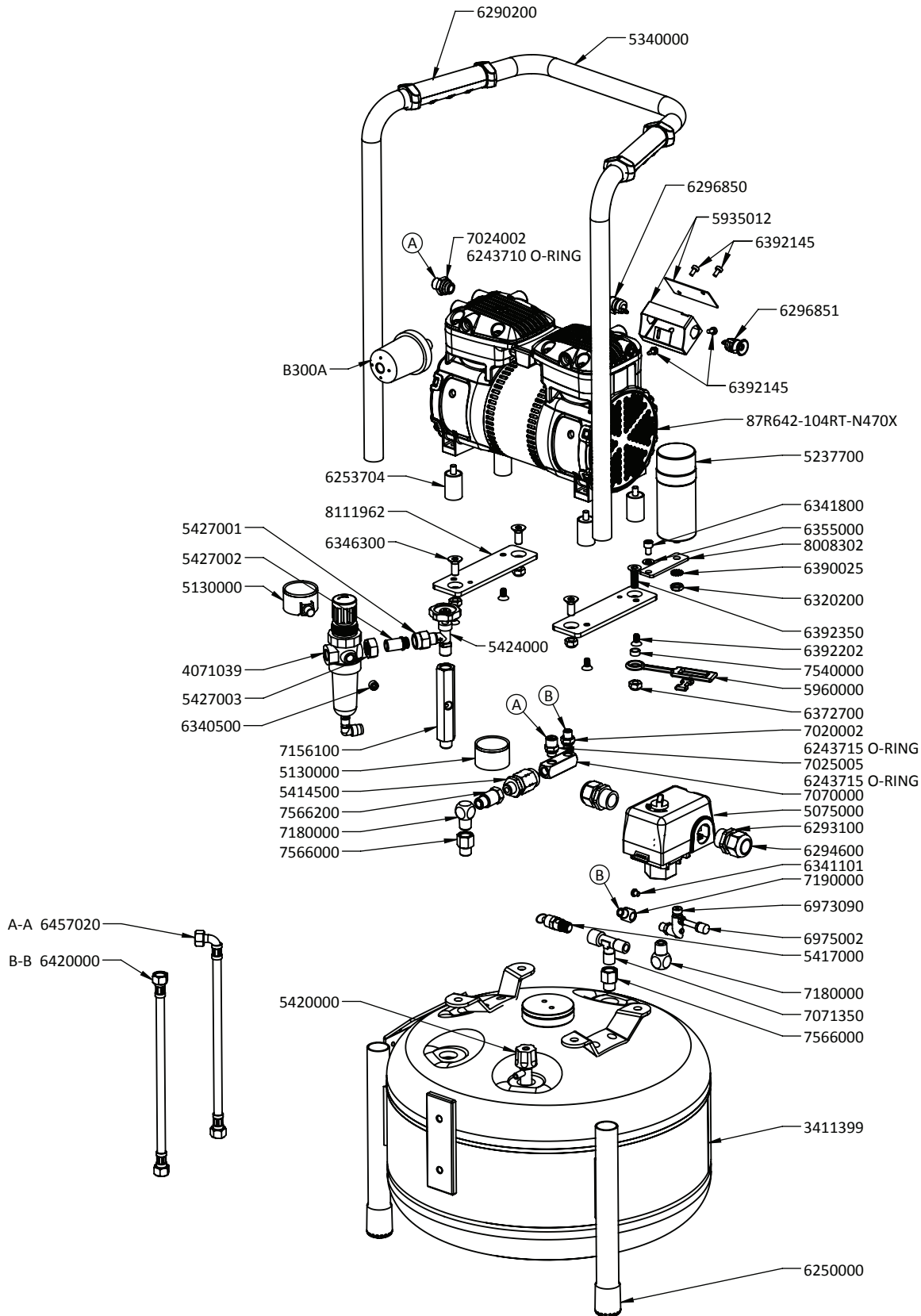
86/87R- XB Exploded Views

87R-25B 230V - 50Hz



86/87R- XB Exploded Views

87R-25B 120V/230V - 60Hz





## Parts & Accessories List

Part no.	Description
4071030	5 micron outlet filter/regulator with manual drain
4071055	.01 micron outlet filter with manual drain
4071065	FILTER 0.01UM W/AUTODRAIN
4071210	SPARE PARTS KIT F/5micron Filter
4071220	SPARE PARTS KIT Regulator
4071230	SPARE PARTS KIT Filter/Regulator
4071240	SPARE PARTS KIT F/0.01micron Filter
4797100	Tank Auto Drain kit with drain bottle 120V
4900001	NON RETURN VALVE KIT
5471005	86/87R-XB Basic Service Kit
5471006	87R-XB Comprehensive Service Kit
5471007	86R-4B Comprehensive Service Kit
5612300	Drain Bottle Kit
4797600	Tank Auto Drain kit with drain bottle 230V
86R135-101-N270X	86R135-101T-N270X: 86R-4B Compressor individually packaged for resale
87R642-103R-N470X	87R642-104RT-N470X: 87R-XB Compressor individually packaged for resale

Part no.	Description
3050005	TANK - 4L CE/UL w/inspection
3051000	4L TANK CE
3210005	TANK - 15B CE
3210098	Tank – 15B CE/ASME 16 Bar
3410010	TANK - 25B CE
3411399	TANK - 25B ASME
4071039	Filter regulator 5u w/autmati
4141800	RAPID FITTING ELBOW 1/8"XO6
4146457	RAPID FITTING 06-06MM PIPE
5031000	Pressure switch MDR 2/11
5075000	Pressure switch MDR 21/11 UL
5130000	GAUGE +40 - 0-16BAR 1/8"DOWN
5237700	CAPACITOR 30UF/370V AC
5320226	Handle 86/87R-4B
5340000	Handle 87R-25/15B
5414500	Non return valve f/lubicated
5416100	SAFETY VALVE 12 BAR 177 PSI
5417000	SAFETY VALVE 9 BAR/135 PSI
5418000	DRAIN COCK 1/4" 4L
5419500	DRAIN COCK 1/4" 15L
5420000	DRAIN COCK 1/4" 25L
5424000	OUTLET COCK 1/4"
5427001	Nipple for connecting Fil/reg
5427002	Nipple for connecting Fil/reg
5427003	Connector for Fil/reg
5935011	Squeeze Box 86R single
5935012	Squeeze Box 87R Dual
5960000	CABLE RELIEF
6243710	O-RING F/OF PLUG
6243715	O-ring O7x1, 5 Viton (for 1 /
6250000	SOCKET 25 MM BLACK
6253704	Rubber Base f/82R
6290200	PLASTIC HANDLE BLACK 025MM
6293100	NUT PG16 BRASS
6294600	PG-NIPPLE M16 UL/CSA
6296850	CABLE RELEIF HEYCO 1327 ELBOW
6296851	Cable relief Heyco 1226 OF300
*6314000	M6x10 HHCS ZINC PLATE
*6320200	COUNTER NUT M8 FLAT FZB
6340500	1/8 PIPE PLUG x 7mm LONG
*6341040	M4x25 SHCS ZINC PLATE

Part no.	Description
*6341101	SCREW F/UNLOADER VALVE M5X6
*6341800	M6x10 SHCS
*6346300	M8x20 FLAT HEAD ZINC PLATE
*6355000	WASHER 6.5X13X1.25MM
*6357100	Washer O18xO6.4x1.6 FZB
*6372500	LOCK NUT M4
*6372700	LOCK NUT M8 FZB
*6390000	STAR WASHER TYPE A M6
*6390025	Star washer type A M8
*6391800	SCREW PH FZB 4X12
*6391900	M2.2x12 PAN HD SHEET MTL ZINC
*6392145	SCREW GROUND
*6392202	M6 x 12MM FLAT HEAD ZINC
*6392350	M8x25 FLAT HEAD ZINC
6420000	FLEX PIPE 1/8" 20 (22)
6457020	Teflon hose 1/4" 20 cm with el
6457024	Teflon hose 1/4" 24 cm with el
6457028	Teflon hose 1/4" 28 cm with el
**6973090	Unloader valve
**6973105	Needle f/unloader valve 16.4 m
**6975002	Silencer f/unload valve OF300
7020002	Double nipple 1/8" w/o-ring
7024002	Double nipple 1/4 in w/o-ring
7025000	DOUBLE NIPPLE 1/4"X1/8"
7025005	Double nipple 1/4"x1/8" w/o-ri
7070000	CONN. PIECE F/NON-RETURN VALVE
7071000	T-PIECE 1/8"
7071350	Tee-connector 1/4" (2xexternal
7156000	EXTENSION PIECE F/COCK SHORT
7156100	EXTENSION PIECE F/COCK LONG
7164200	CROSS CONNECTOR
7180000	ELBOW 1/4" INT/EXT KRG
7190000	ELBOW 1/8"
7540000	BUSH F/5960000
7555000	Coupling nut 1/8"
7565000	BUSHING 1/4"EXT X 1/8"INT
7566200	BUSHING 1/4"X1/4" L = 35 MM
8008302	BRACKET
8111962	MOUNTING BRACKET F/ 87R-25B
B300A	FILTER PLASTIC 1/4 NPT

\* Not available for resale

\*\* Only available in service kit

## Technical Data & Specifications

Specifications		87R-25B			87R-15B		
		120 V	230 V	230 V	120 V	230 V	230 V
Frequency	HZ	60	50	60	60	50	60
Displacement @ 0 Bar	l/min	91	82	91	91	82	91
	CFM	3,2	2,9	3,2	3,2	2,9	3,2
FAD @ 8 bar	l/min	34	28	34	34	28	34
	CFM	1,2	1	1,2	1,2	1	1,2
Max Current	A	5,7	2,5	2,8	5,7	2,5	2,8
Weight	kg	32	27	32	29	22	29
	lbs	70	59	70	61	48,5	61
Pumping Time 0-8 bar/0-120psi	sec	185	205	185	115	125	115
Noise level	dB(a)/1m	63	61	63	63	61	63
Dimensions (LxWxH)	mm	388 x 380 x 619			388 x 380 x 548		
	in	15,3 x 15,0 x 24,4			15,3 x 15,0 x 21,6		
Motor	HP	1/2			1/2		
	KW	0,37			0,37		
Max Pressure	bar	8			8		
	psi	120			120		
Tank Size	liters	25			15		
	gallons	6,6			4		
Thermal Protection		Yes			Yes		
Duty Cycle		100%			100%		
Relative Humidity %		20 - 80%*			20 - 80%*		
Ambient Temperature		5/40°C			5/40°C		

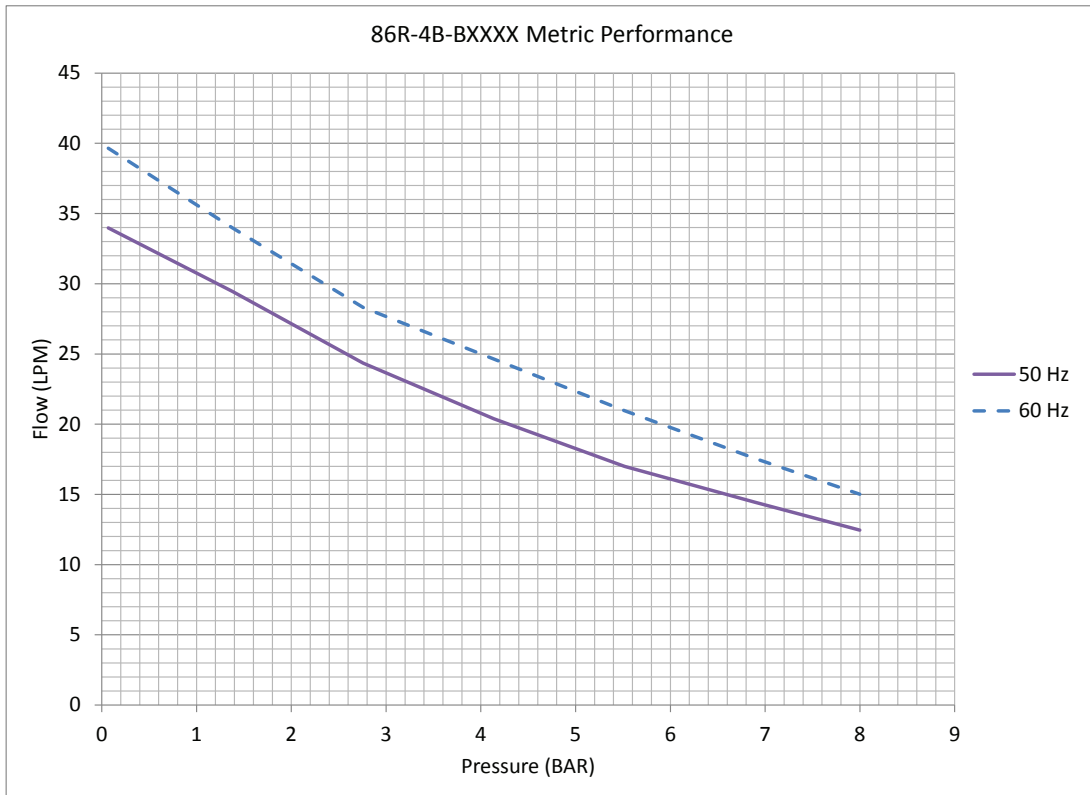
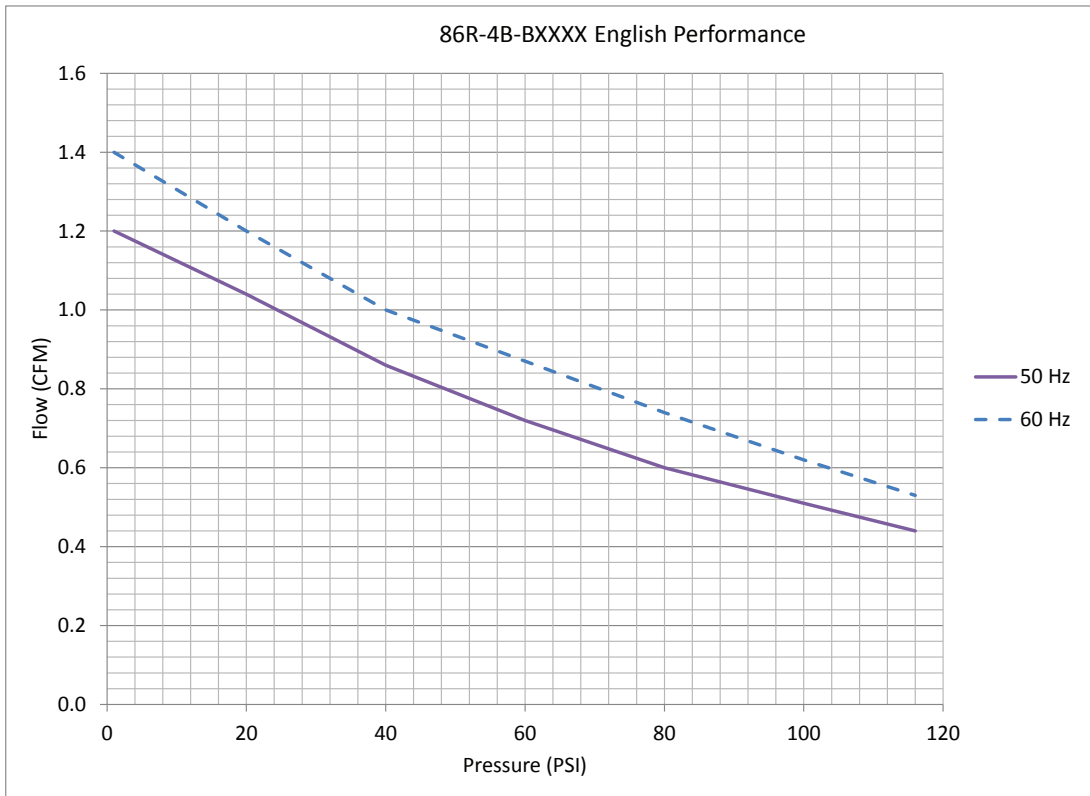
### \* Non-Condensing

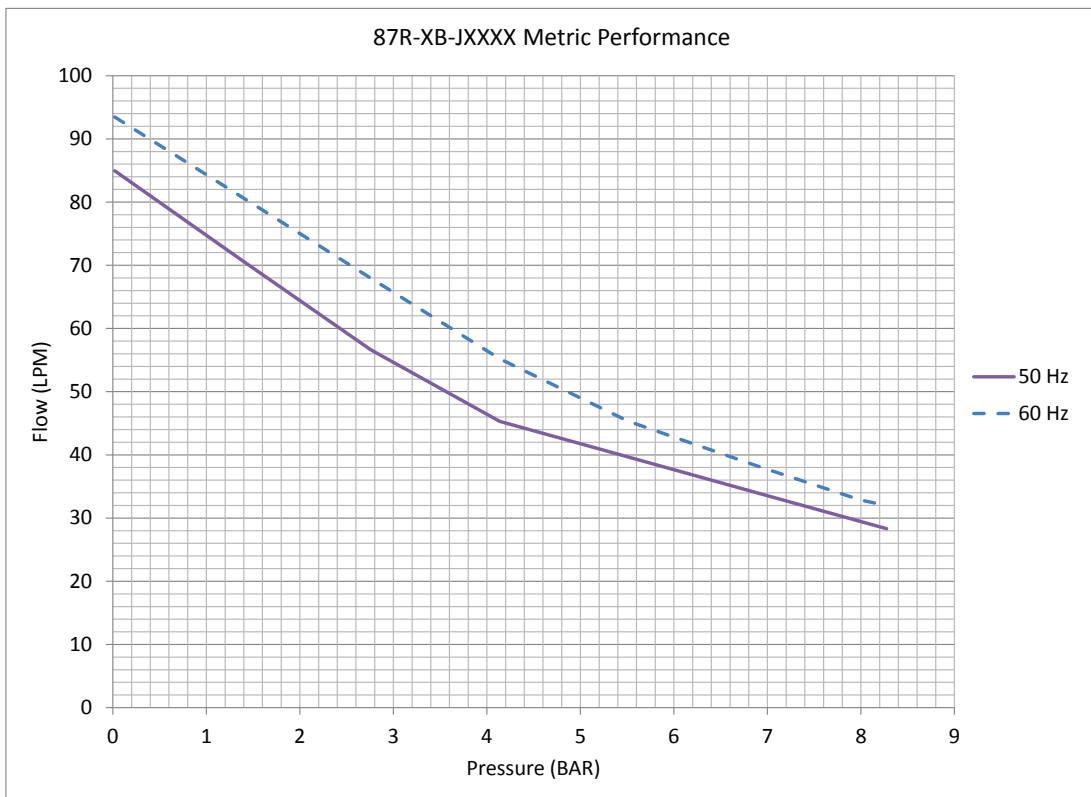
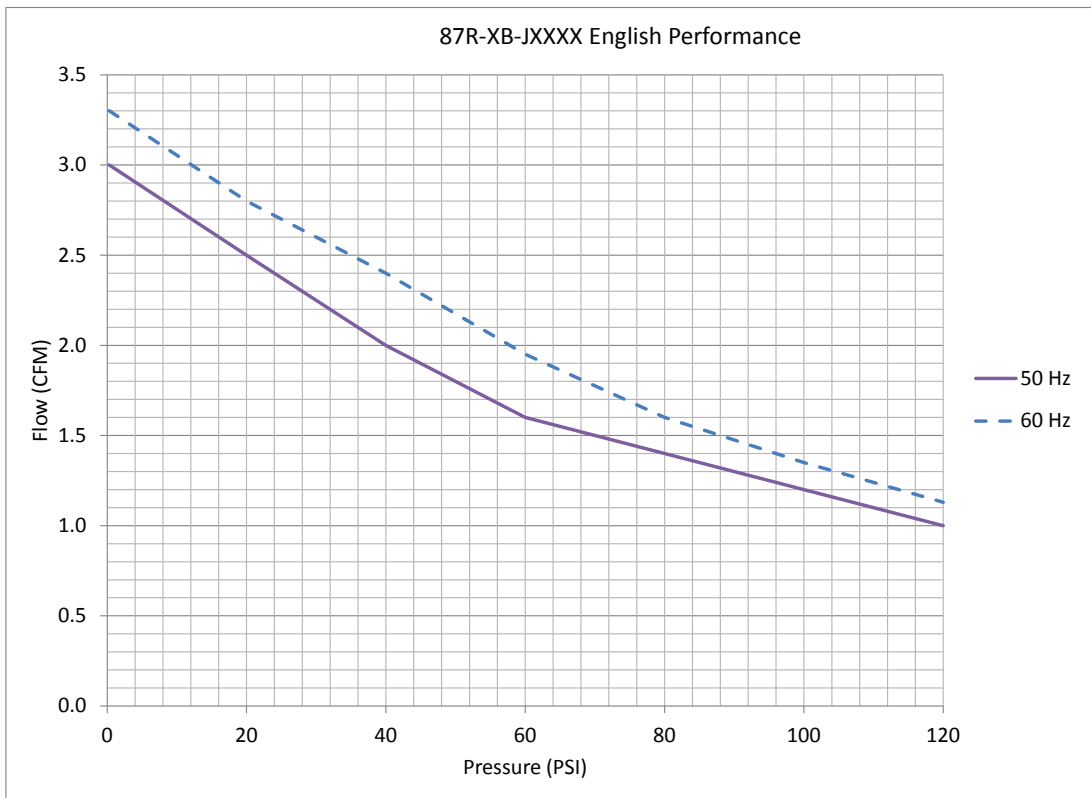
The figures in the tables are based on the unit working in a clean environment at an ambient temperature of 20°C, relative humidity of 50% and operating at sea level. The performance of the product will be adversely effected at high altitudes. JUN-AIR reserves the right to make technical modifications to these units as needed.

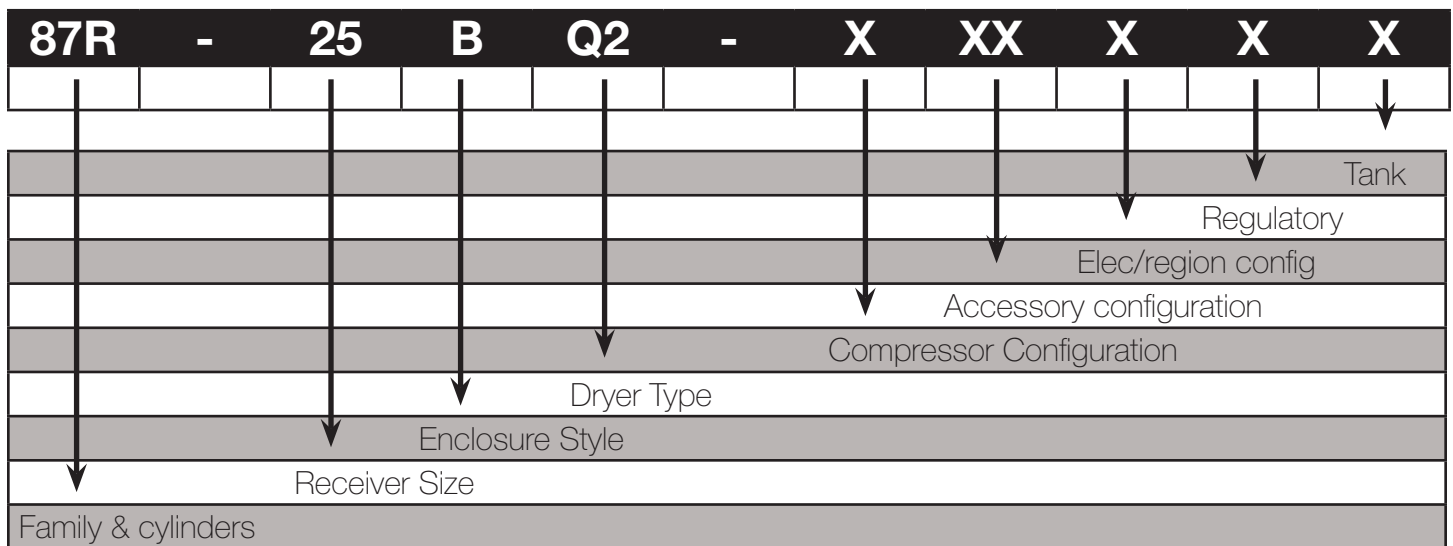
Specifications		87R-4B			86R-4B		
		120 V	230 V	230 V	120 V	230 V	230 V
		Frequency	HZ	60	50	60	60
Displacement @ 0 Bar	l/min	91	82	91	40	34	40
	CFM	3,2	2,9	3,2	1,41	1,20	1,41
FAD @ 8 bar	l/min	34	28	34	15,0	12,5	15,0
	CFM	1,2	1	1,2	0,53	0,44	0,53
Max Current	A	5,7	2,5	2,8	2,1	1,7	1,1
Weight	kg	18	18	18	15,6	15,6	15,6
	lbs	40	40	40	34,4	34,4	34,4
Pumping Time 0-8 bar/0-120psi	sec	32	37	32	80	90	80
Noise level	dB(a)/1m	63	61	63	58	55	58
Dimensions (LxWxH)	mm	404 x 306 x 338			404 x 306 x 338		
	in	15,9 x 12,0 x 13,3			15,9 x 12,0 x 13,3		
Motor	HP	1/2			1/3		
	KW	0,37			0,25		
Max Pressure	bar	8			8		
	psi	120			120		
Tank Size	liters	4			4		
	gallons	1,1			1,1		
Thermal Protection		Yes			Yes		
Duty Cycle		100%			100%		
Relative Humidity %		20 - 80%*			20 - 80%*		
Ambient Temperature		5/40°C			5/40°C		

#### \* Non-Condensing

The figures in the tables are based on the unit working in a clean environment at an ambient temperature of 20°C, relative humidity of 50% and operating at sea level. The performance of the product will be adversely effected at high altitudes. JUN-AIR reserves the right to make technical modifications to these units as needed.





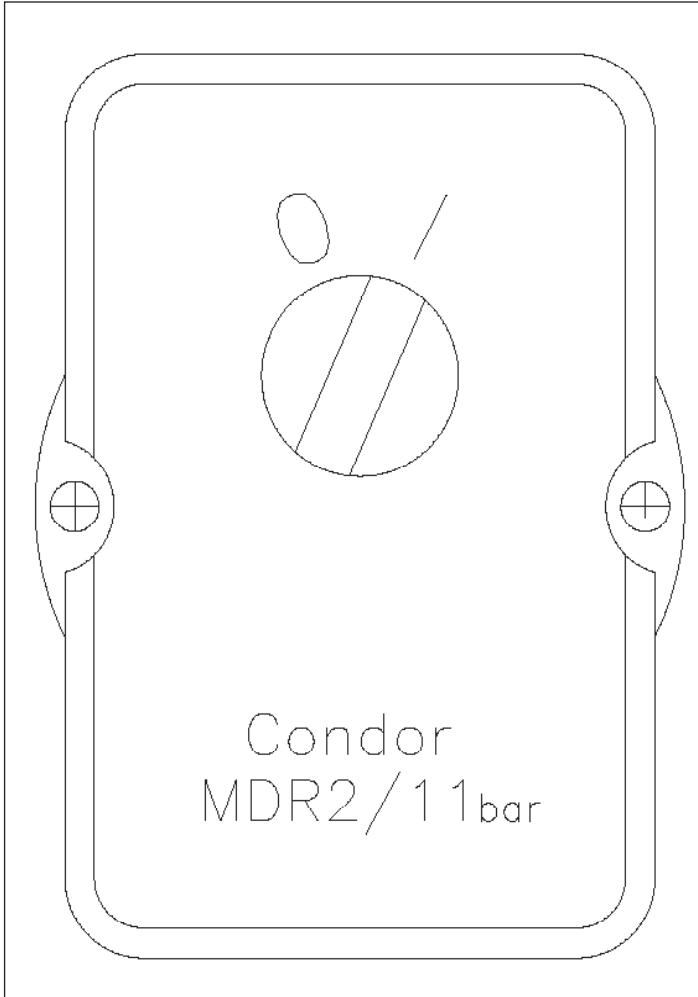


Family & cylinders	Receiver Size	Enclosure Style	Dryer Type
86R = single cylinder & small bore (low flow)	4, 15, 25, 40	B = Basic or Open	Q = iQ dryer (2, 3, or 6 size)
87R = twin cylinder & large bore (high flow)		M = Metal Cabinet	A = Membrane Dryer
		P = Plastic Cover	

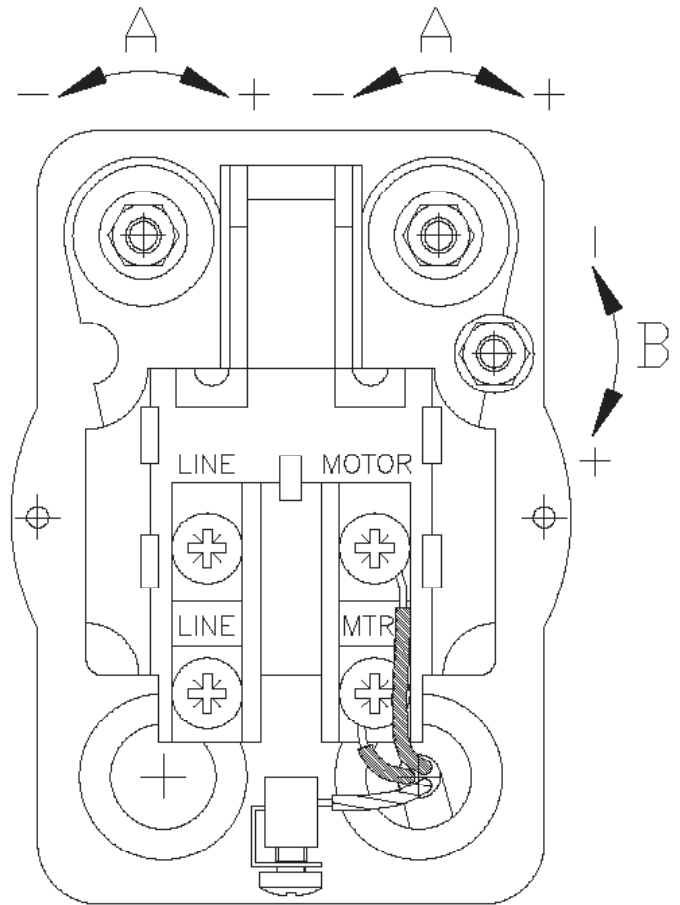
Compressor	Accessory	Elec/region config	Regulatory	Tank
A Single Cylinder, Low Stroke	Manual tank drain, 5µ F/R manual drain, no bottle, pressure switch unloader	100/50 or 60 Japan (NEMA 1-15 or 5-15)	CE	CE
B Single Cylinder, High Stroke (0.35")	Manual tank drain, 5µ F/R auto drain, with bottle	120/50 or 60 NA (NEMA 5-15)	CSA	ASME
C Single Cylinder, High Stroke (0.42") Bent Valve (100psi max)	Manual tank drain, 5µ F/R manual drain, 0.01µ Coalescing Filter, no bottle	220-240 50 or 60 NA (NEMA 6-15)	cULus	ASME Singapore
D	Manual tank drain, 5µ F/R auto drain, 0.01µ Coalescing Filter, with bottle	220-240 50 or 60 EU (CEE 7/7)	CE/cULus	GB (china)
E	Manual tank drain, 5µ F/R auto drain, no bottle, pressure switch unloader	220-240 50 or 60 EU (CEE 7/7) & GB adaptor	CCC	CRN
F	Manual tank drain, 5µ F/R auto drain, 0.01µ Coalescing Filter, no bottle	220-240 50 or 60 CH (NEMA 1-15 or AS-3112)	cCSAus	ASME/CE
G Dual Parallel Cylinder, Low Stroke		220-240 50 or 60 AU (AS-3112)		ASME/CRN
H Dual Parallel Cylinder, High Stroke (0.37")		220-240 50 or 60 GB (IEC Type G)		CE/UL
J Dual Parallel Cylinder, High Stroke (0.42") Bent Valves				
K	Auto tank drain, 5µ F/R auto drain, with bottle			
L	Auto tank drain, 5µ F/R auto drain, 0.01µ Coalescing filter, with bottle			
M	Auto tank drain, 5µ Filter auto drain, regulator, solenoid unloader, no bottle			
N Dual Staged Cylinders, Std Stroke	Auto tank drain, 5µ Filter auto drain, regulator, solenoid unloader, with bottle		None	
P Dual Independent Cylinders, Std Stroke				
R				
S Special compressor configuration	OEM Specific Model	Special voltage/plug	Special	Special



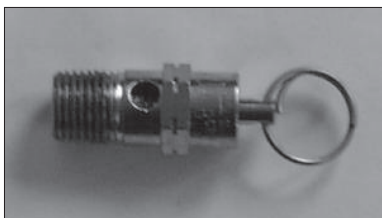
**Pictures / Illustrations References**



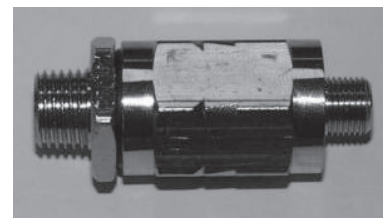
Pressure Switch '1' on or '0' off



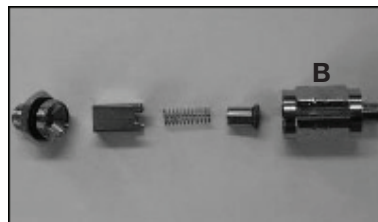
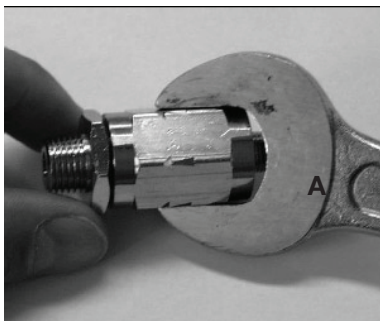
Pressure Switch Adjustment



Safety Valve



Non-Return Valve



Non-Return Valve Assembly (A + B + C)

## WARRANTY POLICY

If within the warranty time limits described below, the compressor system or any of its components fail under normal use and service, the original user-owner must contact an authorized JUN-AIR dealer with the product sale and service records. Should the dealer not be able to complete the repair, the dealer may contact JUN-AIR for disposition. The product's model and serial number, the installation date and the JUN-AIR invoice number must be furnished. Transportation charges both ways must be paid by the dealer. If upon receipt at the factory, an examination reveals faulty or defective original parts, materials, or workmanship, JUN-AIR will, at its sole discretion, rebuild or replace. This warranty does not cover damages caused by misuse, abuse, accident, or neglect. Unauthorized alterations or repairs made outside our factory will cancel this warranty and charges for them will not be allowed.

## COMPRESSOR SYSTEMS

All compressor systems sold and installed by authorized JUN-AIR dealers are warrantied to be free from defects in parts, workmanship, and materials for 8,000 hours of operation or two (2) years from date of purchase, whichever occurs first.

This warranty excludes normal expected service items such as but not limited to: filters/filter kits, o-rings, and hoses. It also excludes add-on accessories that carry their own specific manufacturer's warranty.

### **Gast Manufacturing**

P.O. Box 97  
2300 M139 Highway  
Benton Harbor, MI 49023-0097  
Ph: 269-926-6171  
Fax: 269-925-8288

### **Gast Group Limited**

**c/o IDEX Trading (Shanghai) Co., LTD**  
Room 3502-3505  
No. 1027 Chang Ning Road,  
Zhaofeng Plaza  
Shanghai, China 200050  
Phone +86-21-52415599  
Fax +86-21-52418339

### **Gast Group Ltd.**

Unit 11, The I O Centre  
Nash Road  
Redditch, B98 7AS  
United Kingdom  
Phone +44 (0)1527-504040  
Fax +44 (0)1527-525262

**[www.JUN-AIR.com](http://www.JUN-AIR.com)**